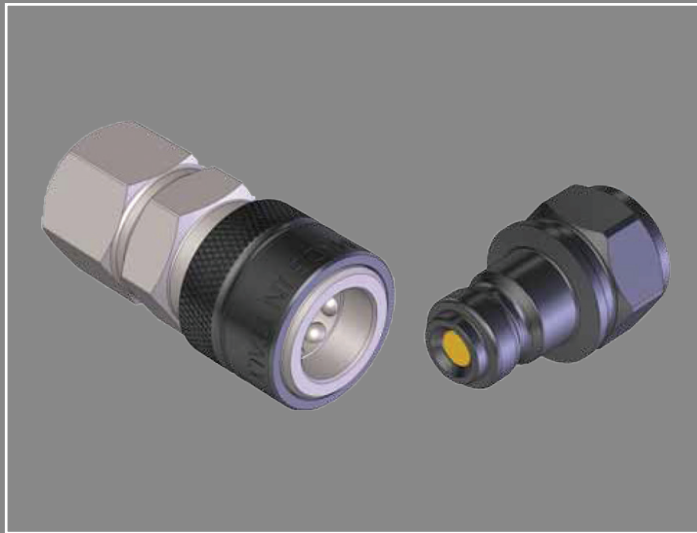
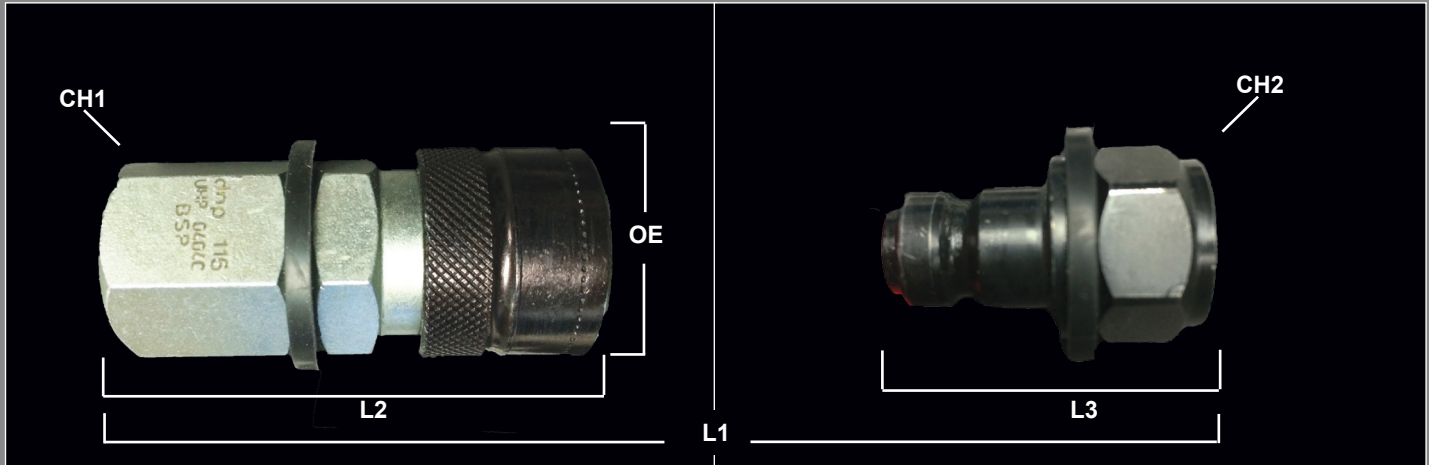


116 UHP SERIES QUICK COUPLINGS

Ultra High Pressure



Features and Applications

- 20,000 PSI
- Flush Face (Non-Drip)
- Standard Caps and Plugs
- BSPP Threads
- Tested with Helium @ low and high pressure
- Torque Equipment
- High Pressure Tools

MATERIALS

Body: High resistance steel
 Finishing: Zn-Fe (Cr111)
 Seals: NBR
 Threads: Female BSPP

DIMENSIONAL & PRESSURE RATING DATA

Body Size	CH1	CH2	OE	L1	L2	L3	Flow Rate (GPM)	Max Working (PSI)	End Type
1/4"	.944	.865	1.10	2.42	1.51	3.19	1.60	20,000	Female

units: inches

ORDERING INFORMATION

QUICK COUPLING PART NUMBERING SYSTEM:

UHP 116 - 04 - 04 - C - BSP

