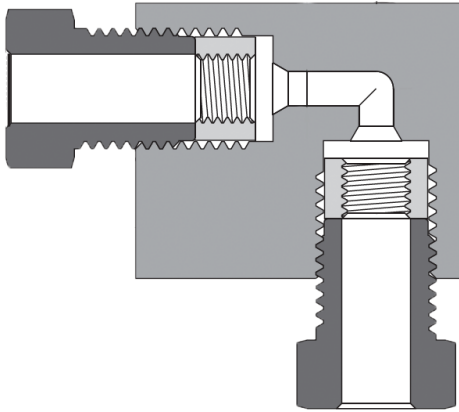
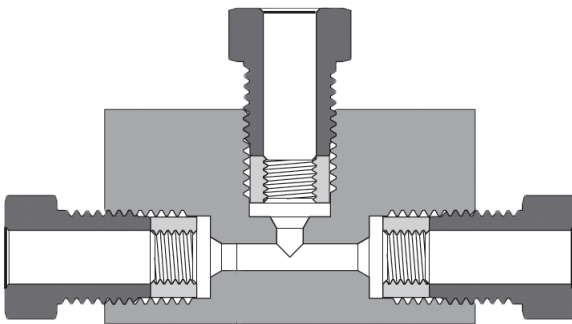


Flat Elbows



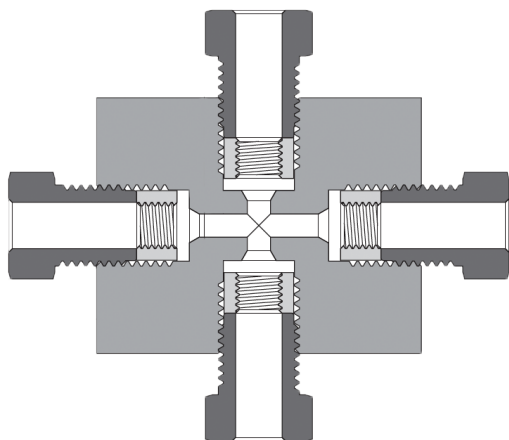
Tube Size	Part Number	Thread Type	Max Working Pressure
1/4"	L15NF4	NPT Female	15,000 PSI
3/8"	L15NF6	NPT Female	15,000 PSI
1/2"	L15NF8	NPT Female	15,000 PSI
1/4"	L20MF4	Medium Pressure Female	20,000 PSI
3/8"	L20MF6	Medium Pressure Female	20,000 PSI
9/16"	L20MF9	Medium Pressure Female	20,000 PSI
3/4"	L20MF12	Medium Pressure Female	20,000 PSI
1"	L20MF16	Medium Pressure Female	20,000 PSI
1/4"	L60HF4	High Pressure Female	60,000 PSI
3/8"	L60HF6	High Pressure Female	60,000 PSI
9/16"	L60HF9	High Pressure Female	60,000 PSI

Flat Tees



Tube Size	Part Number	Thread Type	Max Working Pressure
1/4"	T15NF4	NPT Female	15,000 PSI
3/8"	T15NF6	NPT Female	15,000 PSI
1/2"	T15NF8	NPT Female	15,000 PSI
1/4"	T20MF4	Medium Pressure Female	20,000 PSI
3/8"	T20MF6	Medium Pressure Female	20,000 PSI
9/16"	T20MF9	Medium Pressure Female	20,000 PSI
3/4"	T20MF12	Medium Pressure Female	20,000 PSI
1"	T20MF16	Medium Pressure Female	20,000 PSI
1/4"	T60HF4	High Pressure Female	60,000 PSI
3/8"	T60HF6	High Pressure Female	60,000 PSI
9/16"	T60HF9	High Pressure Female	60,000 PSI

Flat Crosses



Tube Size	Part Number	Thread Type	Max Working Pressure
1/4"	X15NF4	NPT Female	15,000 PSI
3/8"	X15NF6	NPT Female	15,000 PSI
1/2"	X15NF8	NPT Female	15,000 PSI
1/4"	X20MF4	Medium Pressure Female	20,000 PSI
3/8"	X20MF6	Medium Pressure Female	20,000 PSI
9/16"	X20MF9	Medium Pressure Female	20,000 PSI
3/4"	X20MF12	Medium Pressure Female	20,000 PSI
1"	X20MF16	Medium Pressure Female	20,000 PSI
1/4"	X60HF4	High Pressure Female	60,000 PSI
3/8"	X60HF6	High Pressure Female	60,000 PSI
9/16"	X60HF9	High Pressure Female	60,000 PSI

Threaded and Coned Nipples



Tube Size	Part Number	L (in)	Max Working Pressure
1/4"	TN4MP20-3.0	3.0	20,000 PSI
3/8"	TN6MP20-3.0	3.0	20,000 PSI
9/16"	TN9MP20-4.0	4.0	20,000 PSI
9/16"	TN9MP20-6.0	6.0	20,000 PSI
1"	TN16MP20-6.0	6.0	20,000 PSI
1/4"	TN4HP60-3.0	3.0	60,000 PSI
3/8"	TN6HP60-3.0	3.0	60,000 PSI
9/16"	TN9HP60-4.0	4.0	60,000 PSI
9/16"	TN9HP60-6.0	6.0	60,000 PSI

*** A wide variety of high pressure adapters available. Call for pricing and availability.**