

BV3/BV3B SERIES

3-Way - Dual Port (T) - Block Style Body

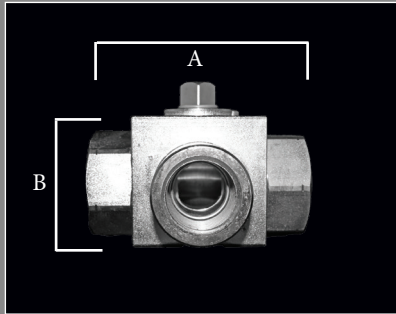
Carbon Steel & 316 Stainless Steel

Sizes: 1/4" thru 2"

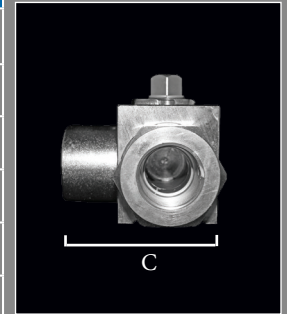


Dimensional & Pressure Rating Data

BV3



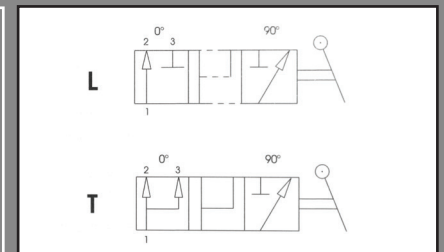
Body Size	A	B	C	Max Working Pressure (PSI)
04	2.71	1.30	1.65	7,250
06	2.79	1.38	1.81	7,250
08	3.27	1.57	2.13	7,250
12	3.74	2.17	2.95	5,800
16	4.45	2.56	3.44	5,075
20	4.72	2.56	3.44	5,075
24	4.88	2.56	3.44	5,075



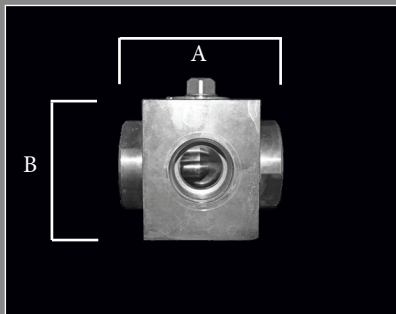
units: inches

Features and Benefits

- Carbon steel construction with Silver Trivalent plating
- 316 steel available
- 3-Way dual port
- Standard POM ball seats with buna stem seals

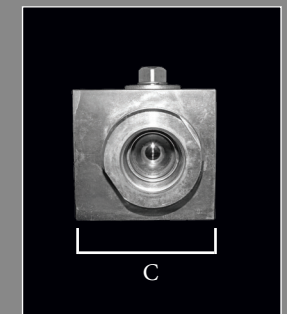


BV3B



Dimensional & Pressure Rating Data

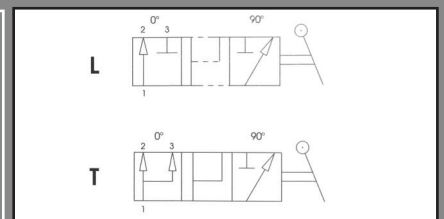
Body Size	A	B	C	Max Working Pressure (PSI)
20	4.52	3.66	3.90	5,075
24	5.16	4.21	4.53	5,075
32	5.51	4.49	5.04	5,075



units: inches

Features and Benefits

- Carbon steel construction with Silver Trivalent plating
- 316 steel available
- 3-Way dual port
- Standard POM ball seats with buna stem seals



ORDERING INFORMATION

High Pressure Ball Valve Part Numbering System:

BV3 - SS - L - 08 - NPT

BV3 Series		Material Type		Pattern		Body Size		Body Size		Threads	
BV3	3-Way Block Style Dual Port	(blank)	Carbon Steel	(Blank)	L-Pattern (Selector)	04	1/4"	16	1"	NPT	NPT
BV3B	3-Way Round Body Dual Port	SS	316 Stainless Steel	T	T-Pattern (Twin)	06	3/8"	20	1-1/4"	BSP	BSP
						08	1/2"	24	1-1/2"	SAE	SAE
						12	3/4"	32	2"		