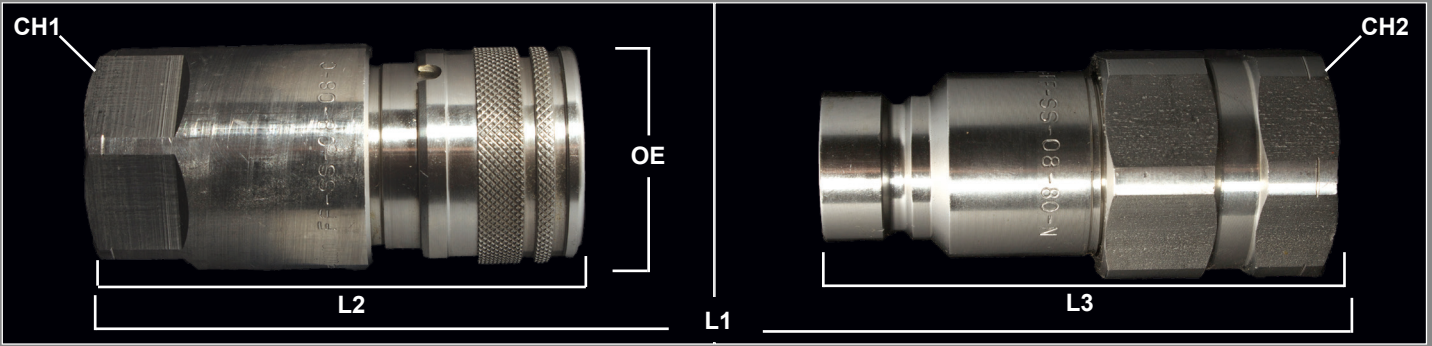


FF-HP-SS SERIES QUICK COUPLINGS (PLTX)

ISO 16028 - Flush Face - 316 Stainless Steel

Sizes: 1/4" thru 1"



Features and Applications

- High working pressures up to 4,350 PSI
- Sleeve locking device
- Locking radial balls
- Connection under pressure not allowed
- FF-HP-SS series is ideal for markets where flat face, non-spill couplings are a must.
- Food grade
- Offshore oil & gas
- Petro-chemical

MATERIALS

Body: 316 Stainless Steel
 Seals: FKM seals (Viton)
 Threads: NPT, SAE, & BSP

MAJOR INTERCHANGES

Parker FE Faster FF / 2FFI
 Tomco FE Aeroquip FD89
 Perfecting HT Snap Tite 74
 Stucchi FL

Key Note:

- Color Safe System options available



DIMENSIONAL & PRESSURE RATING DATA

Body Size	CH1	CH2	OE	L1	L2	L3	Optimal Flow Rate (GPM)	Max Flow Rate (GPM)	Max Working (PSI)
04	.87	.87	1.10	4.25	2.32	2.36	3.17	6.34	4,350
06	1.06	1.06	1.26	4.98	2.87	2.74	6.08	12.15	3,625
08	1.42	1.42	1.50	5.94	3.43	3.21	12	23.78	3,625
10	1.42	1.42	1.65	5.96	3.39	3.27	20	39.63	3,625
12	1.61	1.61	1.89	6.54	3.84	3.56	28	52.83	3,625
16	1.97	1.97	2.17	7.15	4.31	3.74	50	73.97	3,625

units: inches

ORDERING INFORMATION

QUICK COUPLING PART NUMBERING SYSTEM:

FF-HP - SS - 08 - 08 - C - NPT

