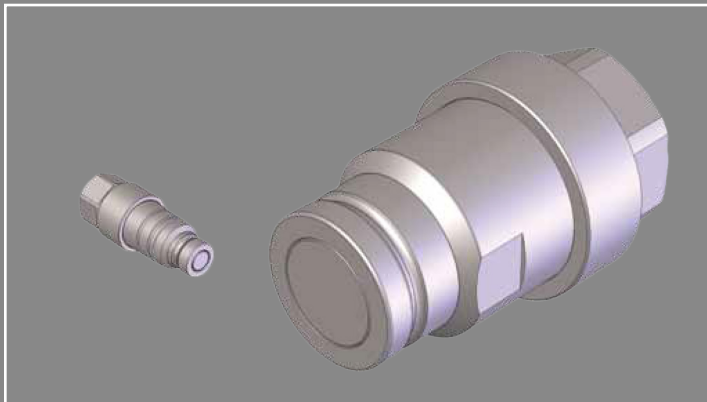


# FFK SERIES QUICK COUPLING (PLK4)

ISO 16028 - Flush Face - Connect Under Pressure Nipple- Carbon Steel

Sizes: 1/4" thru 1"



## Features and Applications

- Connect under pressure to 3,675 PSI
- High pressure up to 7,350 PSI
- Flat face, non-spill design
- High resistance steel
- FFK is ideal for systems that need to be connected under residual pressure
- High pressure applications
- Attachments that may have trapped pressure in the system

## MATERIALS

Body: Carbon Steel  
 Finishing: Corrosion resistant gray ZN-Fe (CR111) plating  
 Seals: NBR standard seals  
 Threads: NPT, SAE, & BSP

## MAJOR INTERCHANGES

Stucchi APM  
 Parker FC

## Key Note:

- Color Safe System options available



## DIMENSIONAL & PRESSURE RATING DATA

| Body Size | CH1  | L1   | Optimal Flow Rate (GPM) | Max Flow Rate (GPM) | Max Working (PSI) |
|-----------|------|------|-------------------------|---------------------|-------------------|
| 04        | 1.18 | 3.07 | 3.20                    | 6.34                | 7,350             |
| 06        | 1.42 | 3.39 | 6.50                    | 12.15               | 6,600             |
| 08        | 1.42 | 3.41 | 12                      | 23.78               | 6,600             |
| 10        | 1.42 | 3.41 | 20                      | 39.63               | 6,600             |
| 12        | 1.42 | 3.52 | 28                      | 52.83               | 6,100             |
| 16        | 1.61 | 4.13 | 50                      | 73.97               | 6,100             |

units: inches

## ORDERING INFORMATION

QUICK COUPLING PART NUMBERING SYSTEM:

FFK - 08 - 08 - N - NPT

